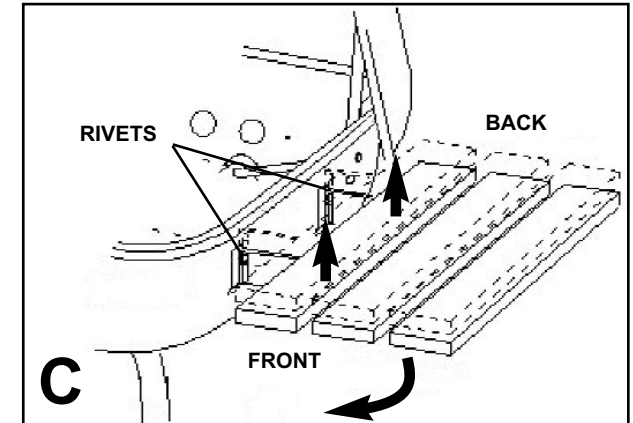
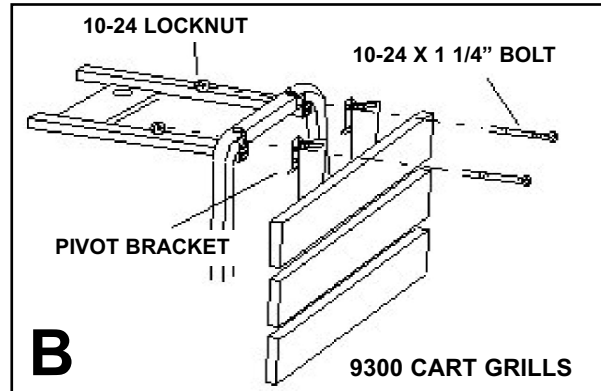
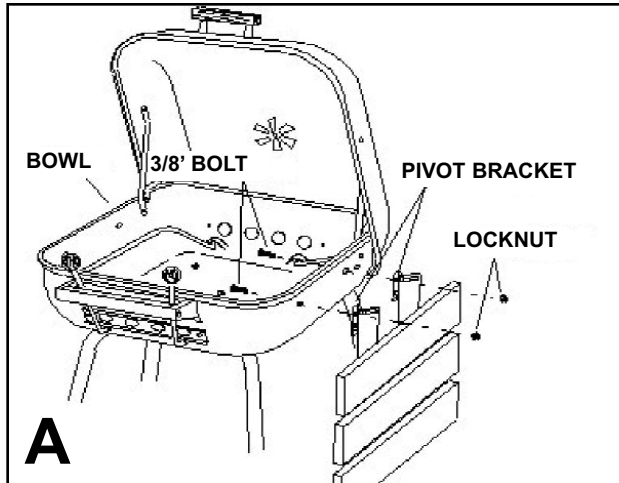


SIDE TABLE ASSEMBLY INSTRUCTIONS



TOOLS REQUIRED: Phillips screwdriver, 3/8" open end wrench or pliers.

1. Attach 3/8" Bolts from inside the Bowl through hole in Right Side Table Pivot Brackets. (Illustration A)

For Series 9300 Cart Grills: Use 1 1/4" Bolts included with grill. Attach from outside through hole in Right Side Table Pivot Brackets, through the cart frame. (Illustration B)

2. Attach Locknuts to the bolts; tighten when both are attached.
3. Repeat steps for the Left Side Table.

The side table is now in a convenient position for storage. When you are ready to use the table, grasp the front and back with both hands and swing the table to its normal position, (Illustration C).

Push down on the table near the grill to make sure the Brackets slide all the way down over the Rivets.



© MECO CORPORATION® 2005

For Customer Service, call 1-800-251-7558 or visit our website at www.MecoAmerica.com

P/N 03.5138.05
REV. 12/12